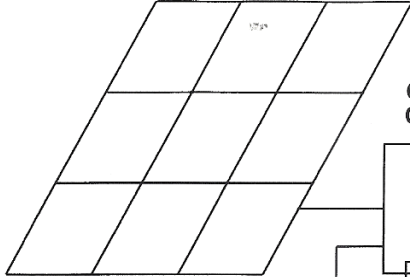




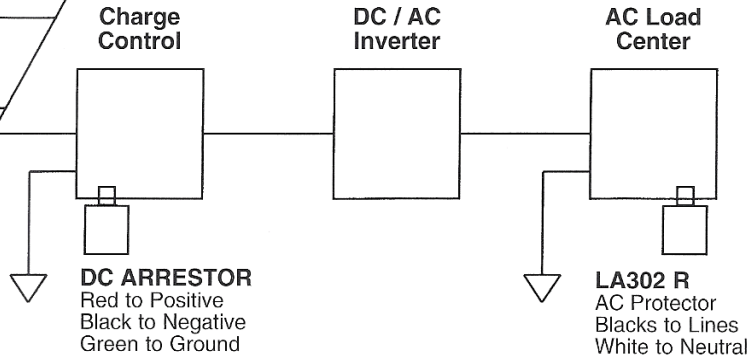
DIRECT CURRENT ARRESTOR

SILICON OXIDE ARRESTOR FOR PHOTOVOLTAIC AND OTHER LIMITED CURRENT DC APPLICATIONS

Collector



INSTALLATION



SPECIFICATIONS

Type of design	Silicon Oxide Varistor
Maximum number of surges	Unlimited
Response time one milliamp test	5 nanoseconds
Response time to clamp 10,000 amps	10 nanoseconds
Response time to clamp 50,000 amps	25 nanoseconds

	LA302DC	LA602DC
Maximum Current	60,000 amps	100,000 amps
Maximum Energy	2,000 joules per pole	3,000 joules per pole



Weatherproof Enclosure N-4
DIMENSIONS: 2-1/4" High
2-1/4" Diameter

LA302DC
LA302R

LA602DC for 0 to 1100 Volts, dc
LA302DC for 0 to 500 Volts, dc
LA302R for 0 to 300 Volts, ac



Weatherproof Enclosure N-4
CASE DIMENSIONS: 4 1/2" High
2 1/4" Diameter

LA602DC

PV ARRESTORS

Delta silicon arrestors comply with all requirements of photovoltaic systems.

1. Deltas do not draw continuous current.
2. Deltas consume no power during stand-by.
3. Delta's clamping voltage does not change with age.
4. When Deltas fail, they fail open circuit to permit continued operation of PV systems.
5. Deltas contain no current limiting fuses or resistance.